

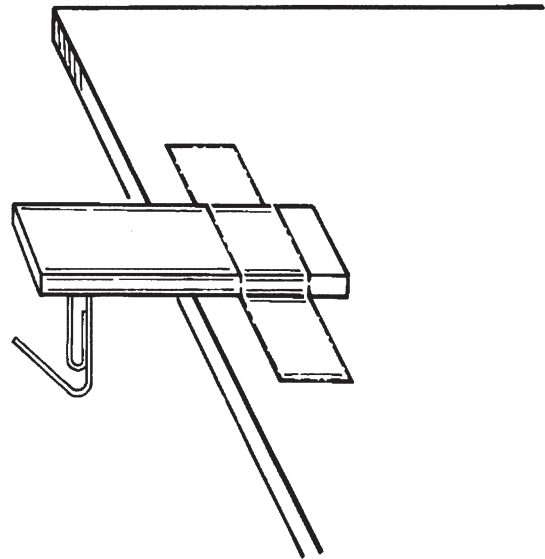
Name \_\_\_\_\_

## How strong is a magnet?

**You will need:** a box of paper-clips; bar magnets of several different sizes; adhesive tape.

▲ Carry out this experiment to find out how strong your magnet is.

1. Tape one of the magnets to a table, making sure that part of the magnet sticks over the edge of the table.
2. Bend open the end of a paper-clip to make a hook. Touch this hook to the end of the magnet that is over the edge of the table.
3. Add other paper-clips one at a time to the paper-clip hook.



• How many paper-clips can you add before they pull loose from the magnet and fall?

▲ Repeat this activity with other magnets of different sizes.

• Which is the strongest magnet? Is it the largest one?

▲ Are the two ends of a magnet equally strong? Find out.

