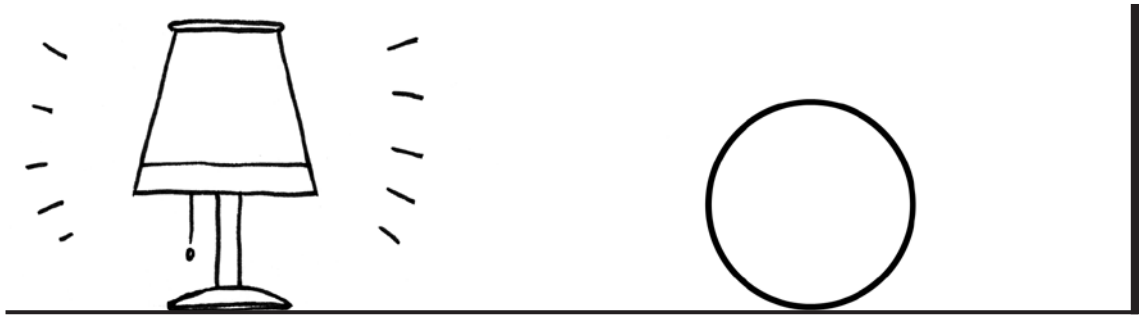
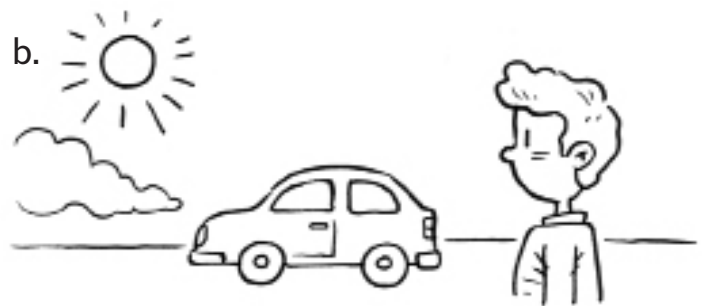


## Shadows and reflections

1. Draw lines on the diagram to show where the shadow of the ball would be.

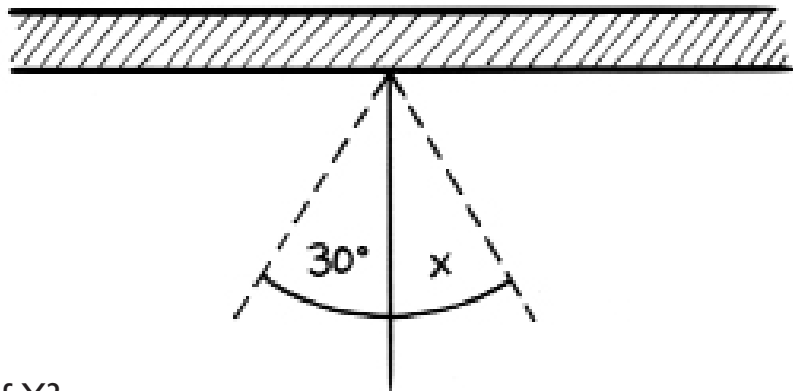


2. Draw arrows to show how the object is seen in each picture.



3. Cross out the word in this sentence that is wrong:

When you look in a mirror, you see your own **shadow/reflection**.



4. What is the value of X?

5. Re-write the following in order from the most reflective to the dullest:

Polished wood, freshly cut wood, cooking foil, painted wall.

\_\_\_\_\_

I can understand that light travels in straight lines.

How did you do?

